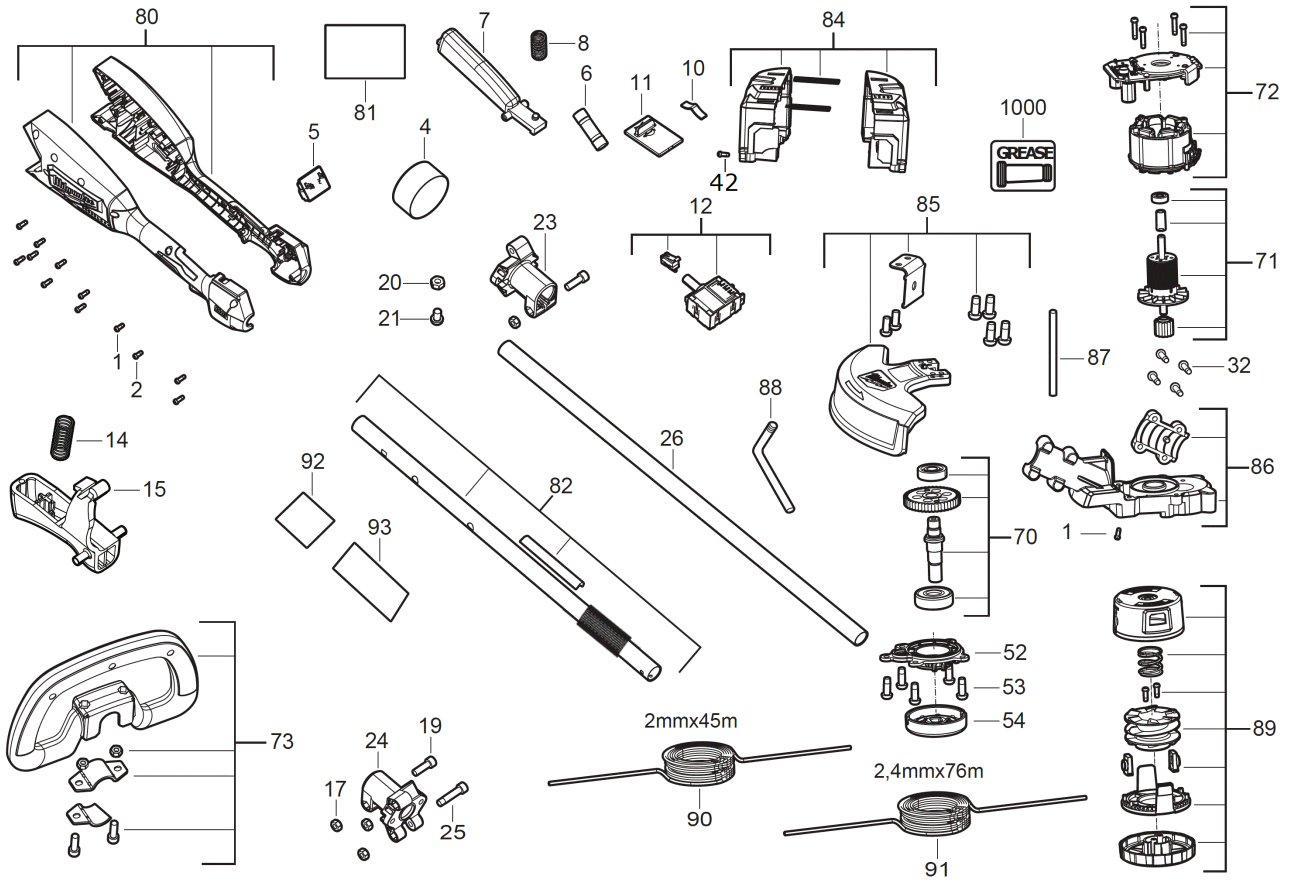


# **M18FPP2OP1-852 POWER PACK OPE IN2**

**4933492816 - M18FPP2OP1-852 - 4000477919**



Position	Quantity	Description	Part number	EAN
0001	15	SCREW	4931465326	4058546234263
0002	1	SCREW	4931454800	4058546014179
0004	1	BALANCE WEIGHT	4931479323	4058546386382
0005	1	TERMINAL PLUG	4931479324	4058546386399
0006	1	CONNECTOR	4931479325	4058546386405
0007	1	TRIGGER	4931454802	4058546014193
0008	1	SPRING	4931454803	4058546014209
0010	1	SPRING PLATE	4931452341	4002395172528
0011	1	SWITCH LEVER	4931479326	4058546386412
0012	1	SWITCH ASSEMBLY	4931479327	4058546386429
0014	1	SPRING	4931454808	4058546014254
0015	1	TRIGGER	4931454801	4058546014186
0017	8	NUT	4931479328	4058546386436
0019	6	SCREW	4931465533	4058546236335
0020	2	NUT	4931479029	4058546365974
0021	2	SCREW	4931479329	4058546386443
0023	1	COUPLING	4931479330	4058546386450
0024	1	COUPLING	4931479331	4058546386467
0025	2	SCREW	4931479332	4058546386474
0026	1	TUBE	4931479333	4058546386481
0032	4	SCREW	4931465543	4058546236434
0042	4	SCREW	660570005	4002395827329
0052	1	BEARING END PLATE	4931479334	4058546386498
0053	5	SCREW	4931472832	4058546331344
0054	1	LOCKING PLATE	4931479335	4058546386504
0070	1	SPINDLE GEAR	4931479336	4058546386511
0071	1	ROTOR	4931479337	4058546386528
0072	1	ELECTRONIC	4931479338	4058546386535
0073	1	HANDLE SET	4931479339	4058546386542
0080	1	HANDLE COMPL.	4931479340	4058546386559
0081	1	RATING PLATE	4931479341	4058546386566
0082	1	TUBE	4931479342	4058546386573
0084	1	MOTOR HOUSING	4931479343	4058546386580
0085	1	GUARD	4931479344	4058546386597
0086	1	GEAR CASE	4931479345	4058546386603
0087	1	HOLDING PIN	4931454818	4058546014353
0088	1	KEY	4931454817	4058546014346
0092	1	FOAM	4931479346	4058546386610
0093	2	FOAM	4931479347	4058546386627
1000	1	GEAR GREASE	4931443288	4002395255627
0089	1	AUTO FEED SPOOL + LINE - 1PC	49162714	45242006458
0090	1	Trimmer Line 2mm x 45m - 1PC	49162712	45242493906
0091	1	Trimmer Line 2.4m x 76m - 1PC	49162713	45242493913